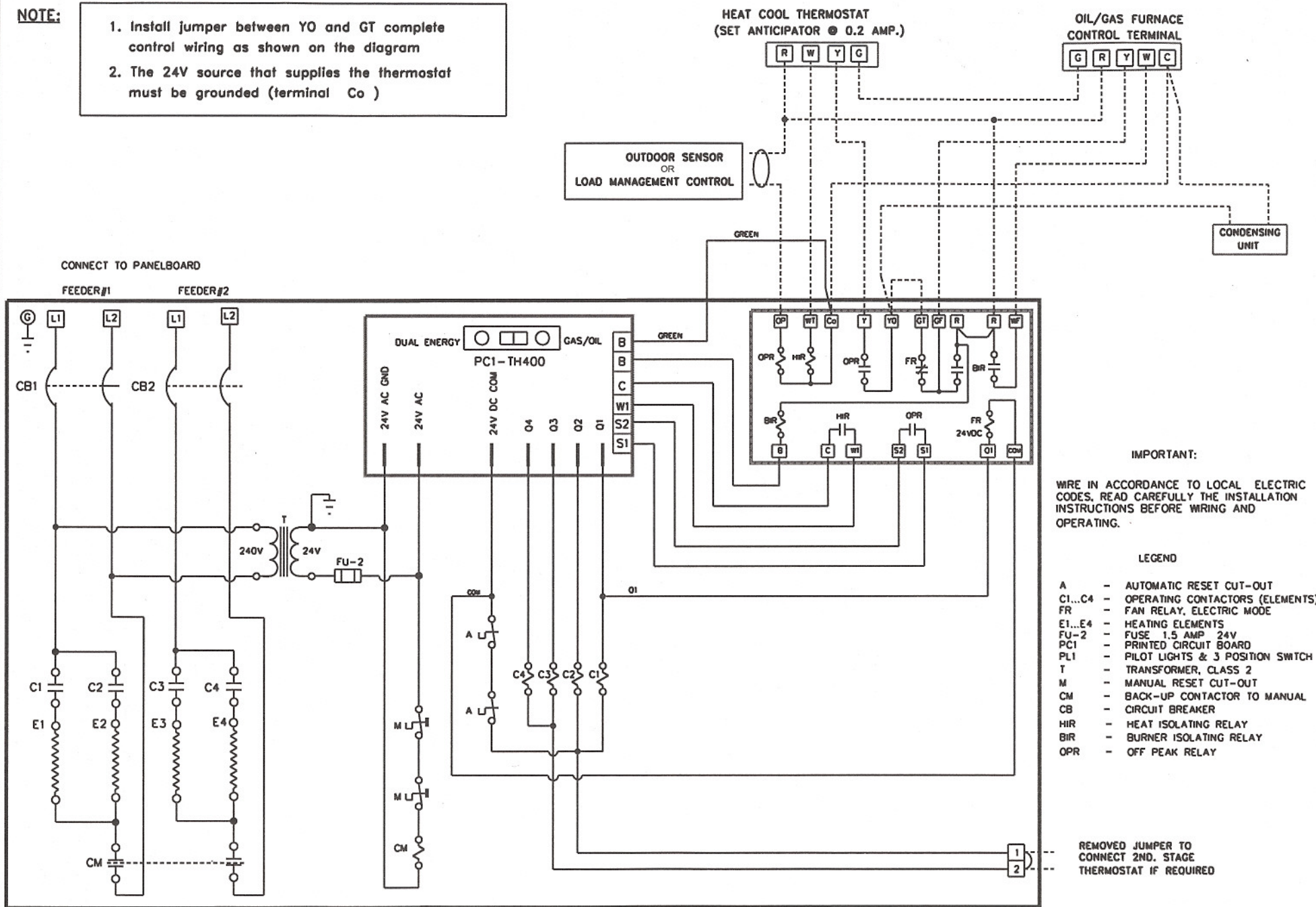


**NOTE:**

1. Install jumper between YO and GT complete control wiring as shown on the diagram
2. The 24V source that supplies the thermostat must be grounded (terminal Co)



**IMPORTANT:**  
WIRE IN ACCORDANCE TO LOCAL ELECTRIC CODES. READ CAREFULLY THE INSTALLATION INSTRUCTIONS BEFORE WIRING AND OPERATING.

- LEGEND**
- A - AUTOMATIC RESET CUT-OUT
  - C1...C4 - OPERATING CONTACTORS (ELEMENTS)
  - FR - FAN RELAY, ELECTRIC MODE
  - E1...E4 - HEATING ELEMENTS
  - FU-2 - FUSE 1.5 AMP 24V
  - PC1 - PRINTED CIRCUIT BOARD
  - PL1 - PILOT LIGHTS & 3 POSITION SWITCH
  - T - TRANSFORMER, CLASS 2
  - M - MANUAL RESET CUT-OUT
  - CM - BACK-UP CONTACTOR TO MANUAL
  - CB - CIRCUIT BREAKER
  - HIR - HEAT ISOLATING RELAY
  - BIR - BURNER ISOLATING RELAY
  - OPR - OFF PEAK RELAY

TITLE/TITRE  
Standard Plenum Heater - Variable speed  
Furnace

**THERMOLEC** LTEE LTD  
MONTREAL - CANADA

DRAWING NO. BI-ENERGIE TH400-T15-T18-T20-US(OPR) var. sp  
DATE 09-11-07  
PER